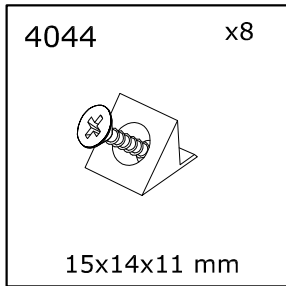
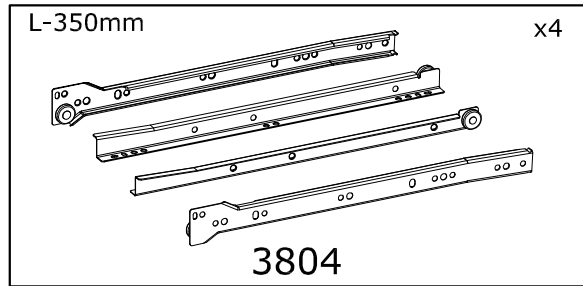
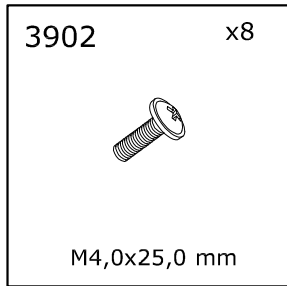
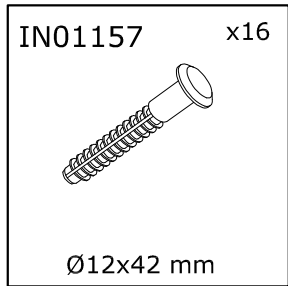
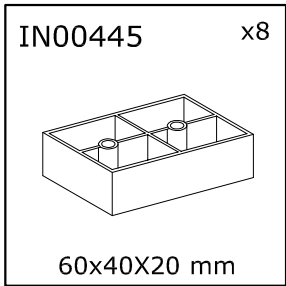
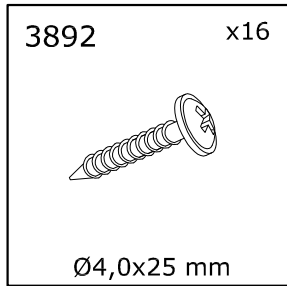
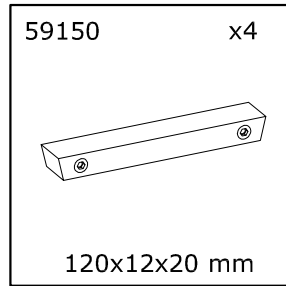
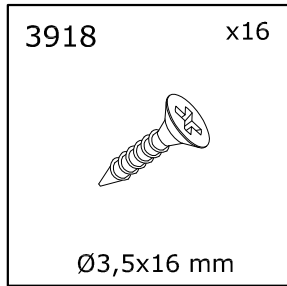
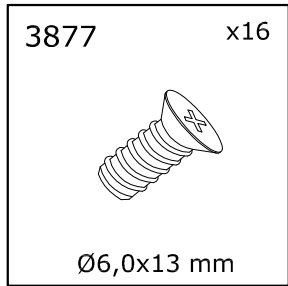
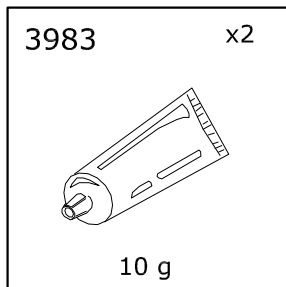
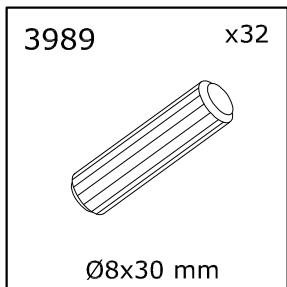
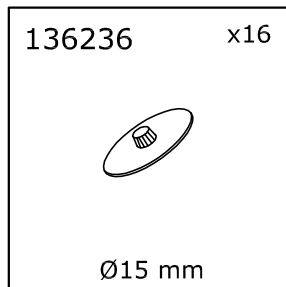
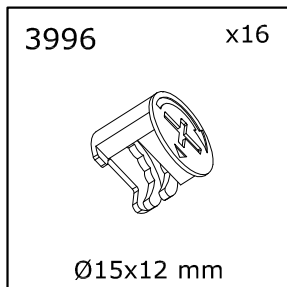
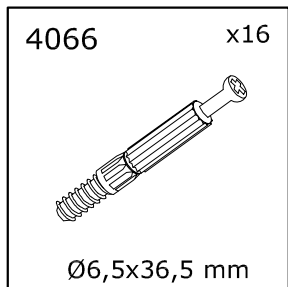


**x 2**



# 1.

4066



x8

IN00445

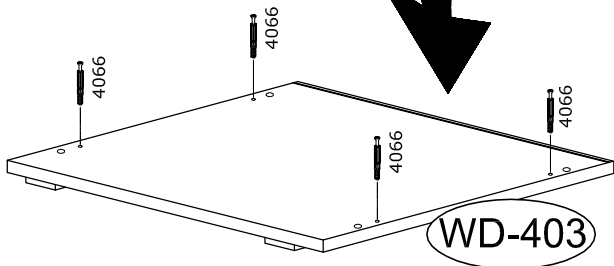
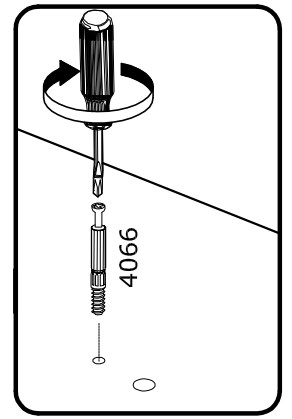
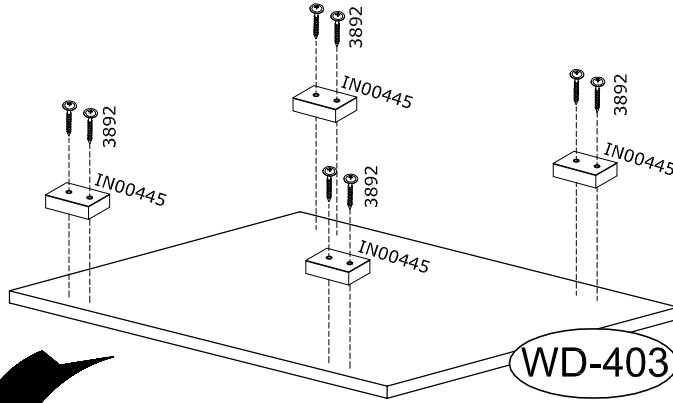
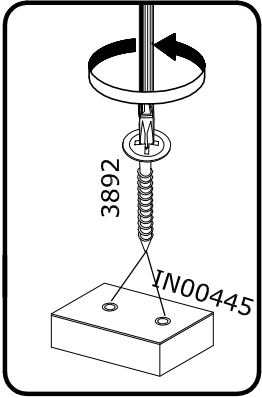


x8

3892



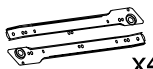
x16



x2

# 2.

3804



x4

3989



x8

3996

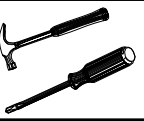


x8

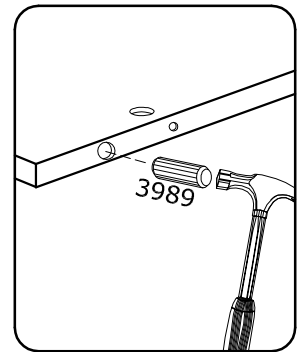
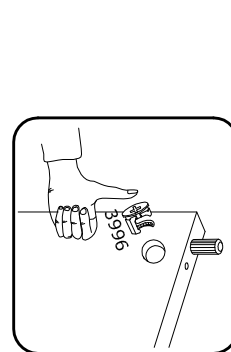
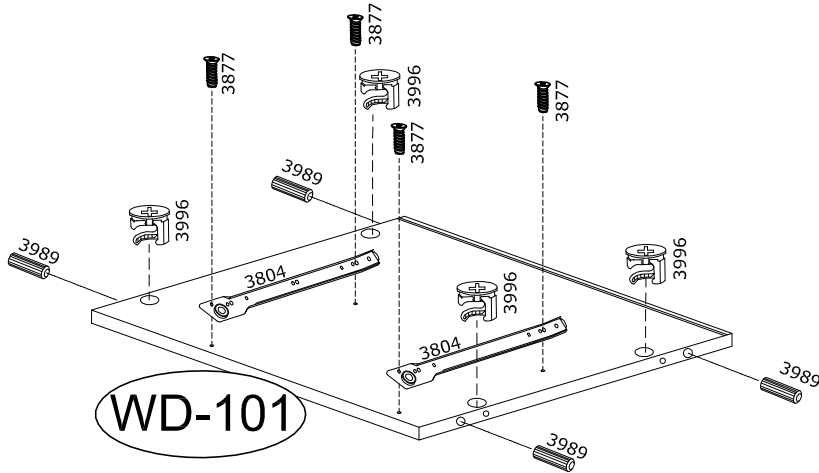
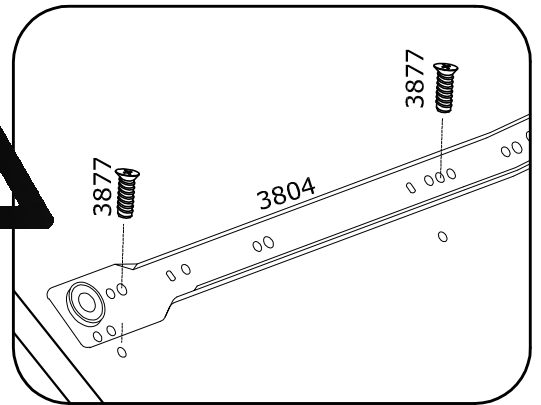
3877



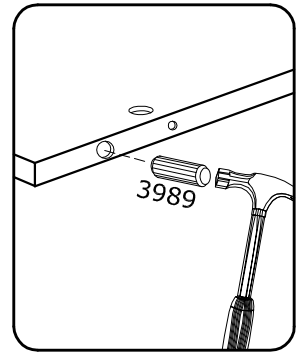
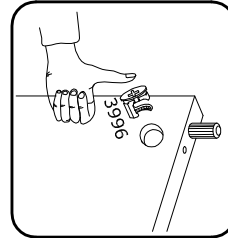
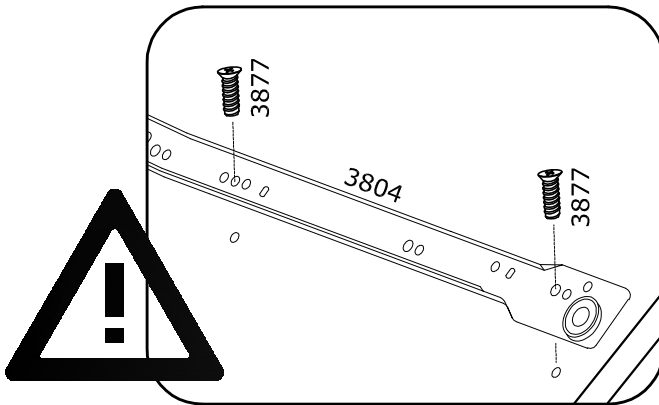
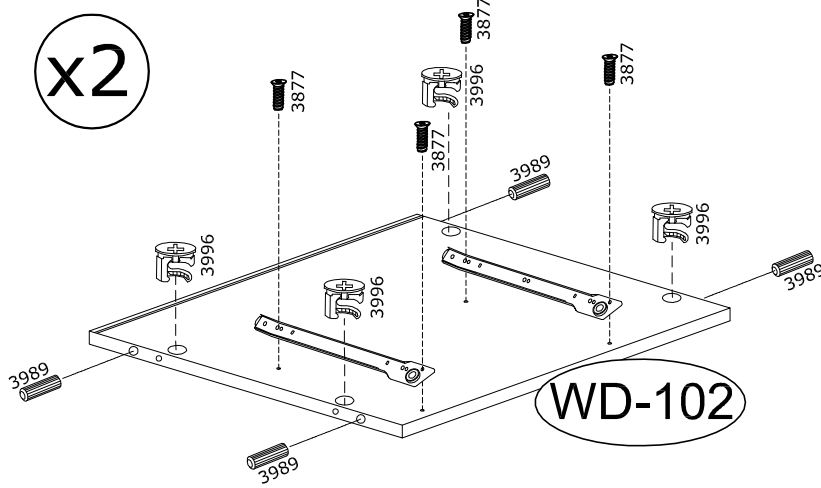
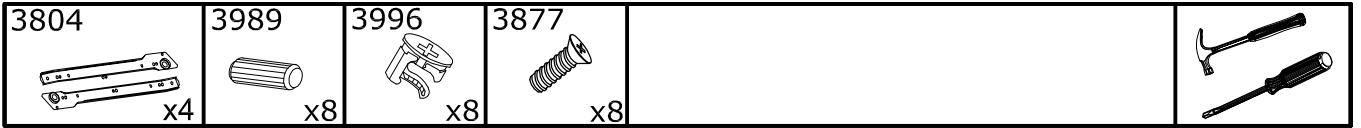
x8



x2



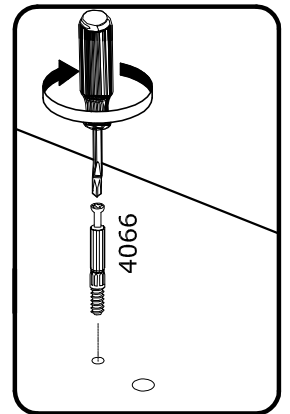
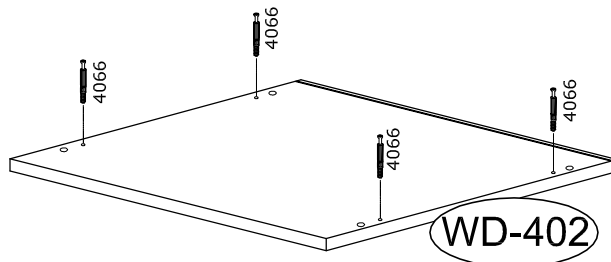
# 3.



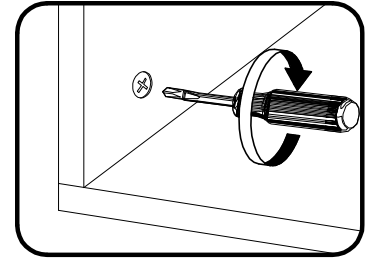
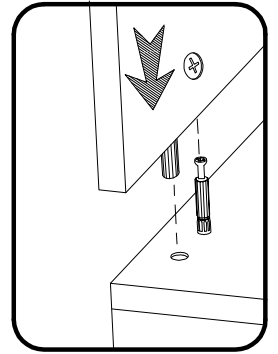
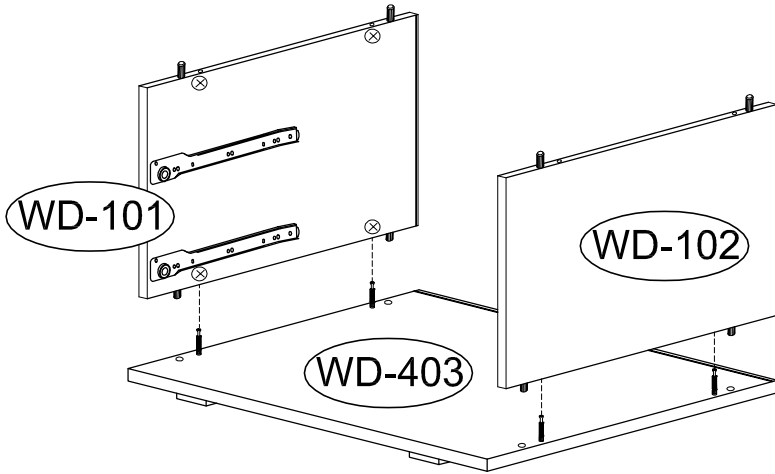
# 4.



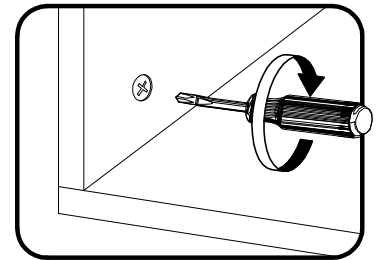
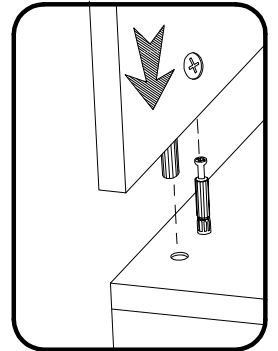
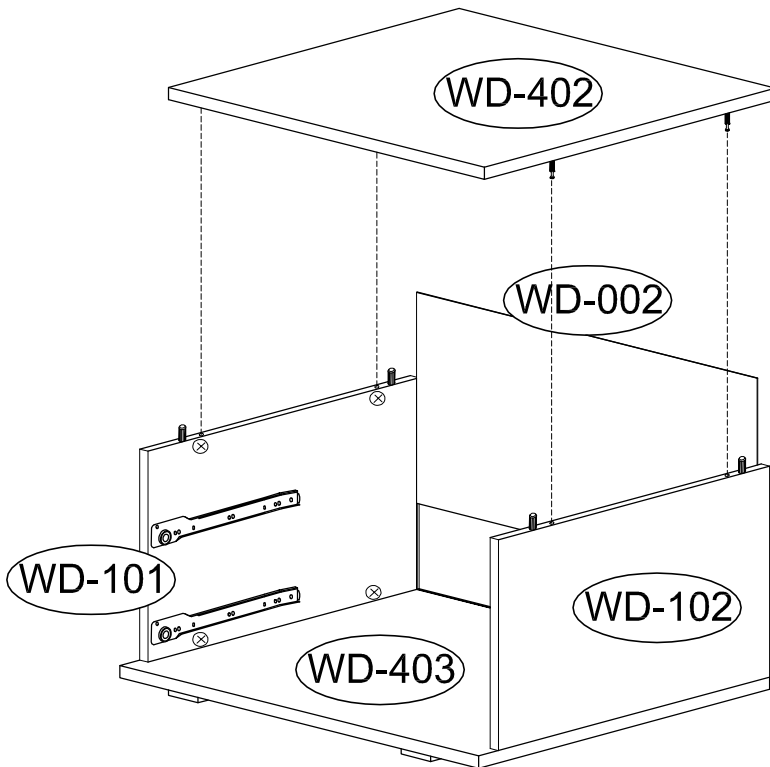
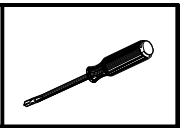
x2



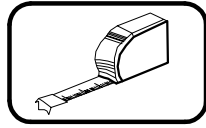
# 5.



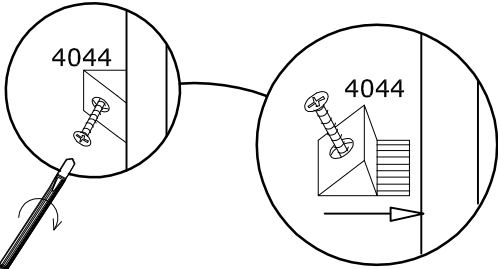
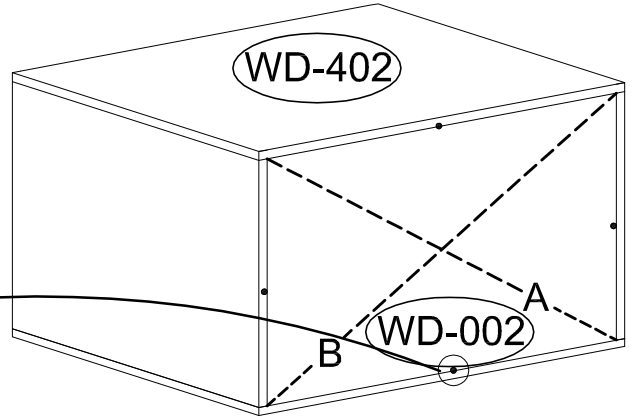
# 6.




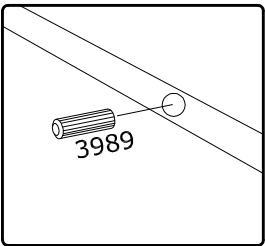
**7.** 4044  x8 



**A=B**



**8.** 59150 x4 3902 x8 IN01157 x16 3989 x16 3983 x2 3804 x4 3918 x16 



**x4**

